



THE FISHER 510
SERVICE MANUAL
SCHEMATIC
and PARTS LIST

MODEL 510



CHASSIS SERIAL NUMBERS
10001-29999 INCLUSIVE

PRICE: \$1.00

FISHER RADIO CORPORATION • NEW YORK

PARTS DESCRIPTION LIST

CAPACITORS

20% tolerance for all fixed capacitors, unless otherwise noted or marked GMV (guaranteed minimum value.)
Cer = Ceramic

Symbol	Description	Order No.
C1, C2	Ceramic Disc, .02uf +80/-20%, 600V	C50071-3
C3	Molded, .01uf 10%, 250V— (Omit for Prefix 2)	C50074-25
C4	Molded, 2200uuf 10%, 400V	C68P222K4
C5	Molded, .01uf 10%, 250V	C50074-25
C6	Ceramic, 220uuf 10%, 500V	CC21GP221K5
C7	Molded, 3300uuf 10%, 250V	C50074-23
C8	Molded, .01uf 10%, 250V (Omit for Prefix 2)	C50074-25
C9	Ceramic, 1000uuf 10%, 1000V	C50072-3
C10	Molded, .01uf, 600V	C50074-25
C11	Ceramic, 330uuf 10%, 500V	CC21GP331K5
C12	Molded, 2200uuf 10%, 400V	C68P222K4
C13	Molded, .01uf 10%, 250V	C50074-25
C14	Ceramic, 220uuf 10%, 500V	CC21GP221K5
C15	Molded, 3300uuf 10%, 500V	C50074-23
C16	Ceramic, 1000uuf 10%, 1000V	C50072-3
C17	Molded, .01uf 10%, 250V	C50074-25
C18	Ceramic, 330uuf 10%, 500V	CC21GP331K5
C19	Ceramic, 47uuf 10%, 500V	CC21GP470K5
C20	Electrolytic, 20uf, 350V	C692-131
C21	Ceramic, 47uuf 10%, 500V	CC21GP470K5
C22	Ceramic, 68uuf 10%, 500V	CC21GP680K5
C23	Electrolytic, 25uf, 6V	C556-137
C24	Ceramic, 68uuf 10%, 500V	CC21GP680K5
C25, 26	Molded, .022uf 10%, 500V	C50074-36
C27	Electrolytic, three sections C27-A: 40uf, 450V C27-B: 40uf, 350V C27-C: 40uf, 350V	C677-120
C28	Ceramic, 150uuf 10%, 500V	CC21GP151K5
C29	Ceramic, 100uuf N1500 10%, 1000V	C50070-6
C30	Ceramic, 47uuf 10%, 500V	CC21GP470K5
C31, 32	Molded, .022uf 10%, 500V	C50074-36
C33	Electrolytic, 100uf, 25V	C643-145

RESISTORS AND POTENTIOMETERS

In ohms, 10% tolerance, 1/2 watt, unless otherwise noted.
K = kilohm, M = megohm.

Symbol	Description	Order No.
R1	Composition, 1K	RC20BF102K

R2	Composition, 1.5M, in chassis serial numbers 10001-19999	
	Composition, 470K, in chassis serial numbers 20001-29999	
R3, R4	Composition, 100K	
R5	Composition, 560	
R6	Composition, 4700	
R7	Potentiometer, dual, 1M, bass	
R8	Composition, 68K	
R9	Composition, 1K	
R10	Potentiometer, dual, 500K, volume, with S2	
R11	Composition, 1.5M, in chassis serial numbers 10001-19999	
	Composition, 470K, in chassis serial numbers 20001-29999	
R12	Composition, 220K	
R13	Composition, 33K	
R14	Composition, 560	
R15	Composition, 4700	
R16	Potentiometer, dual, 1M, treble	
R17	Composition, 18K	
R18	Composition, 68K	
R19	Composition, 33K	
R20	Composition, 220K	
R21	Composition, 18K	
R22	Composition, 820K	
R23	Composition, 6.8M	
R24	Composition, 100K	
R25, 26	Composition, 680	
R27	Composition, 6.8M	
R28	Composition, 820K	
R29	Composition, 10K	
R30	Composition, 100K	
R31, 32	Composition, 39K	
R33	Potentiometer, 250K, channel A level set	
R34	Composition, 12K	
R35	Composition, 1500	
R36	Composition, 680K	
R37	Composition, 12K	
R38	Composition, 6800	
R39, 40	Composition, 100K	
R41	Wirewound, 4,000; 5W	
R42, 43	Composition, 820K	
R44	Wirewound, 130, 5W	
R45	Composition, 2200	
R46	Composition, 33K	

RC20BF155K
RC20BF474K
RC20BF104K
RC20BF561K
RC20BF472K
R692-114
RC20BF683K
RC20BF102K
R692-113
RC20BF155K
RC20BF474K
RC20BF224K
RC20BF333K
RC20BF561K
RC20BF472K
R692-114
RC20BF183K
RC20BF683K
RC20BF333K
RC20BF224K
RC20BF183K
RC20BF824K
RC20BF685K
RC20BF104K
RC20BF681K
RC20BF685K
RC20BF824K
RC20BF103K
RC20BF104K
RC20BF393K
R50103-1
RC20BF123K
RC20BF152K
RC20BF684K
RC20BF123K
RC20BF682K
RC20BF104K
R692-130
RC20BF824K
R644-147
RC20BF222K
RC20BF333K

R47	Wirewound, 140, 5%, 5W
R48, 49	Potentiometer, 500, hum adjust
R50, 51,	Composition, 100K
52, 53	

R677-119
R516-128
RC20BF104K

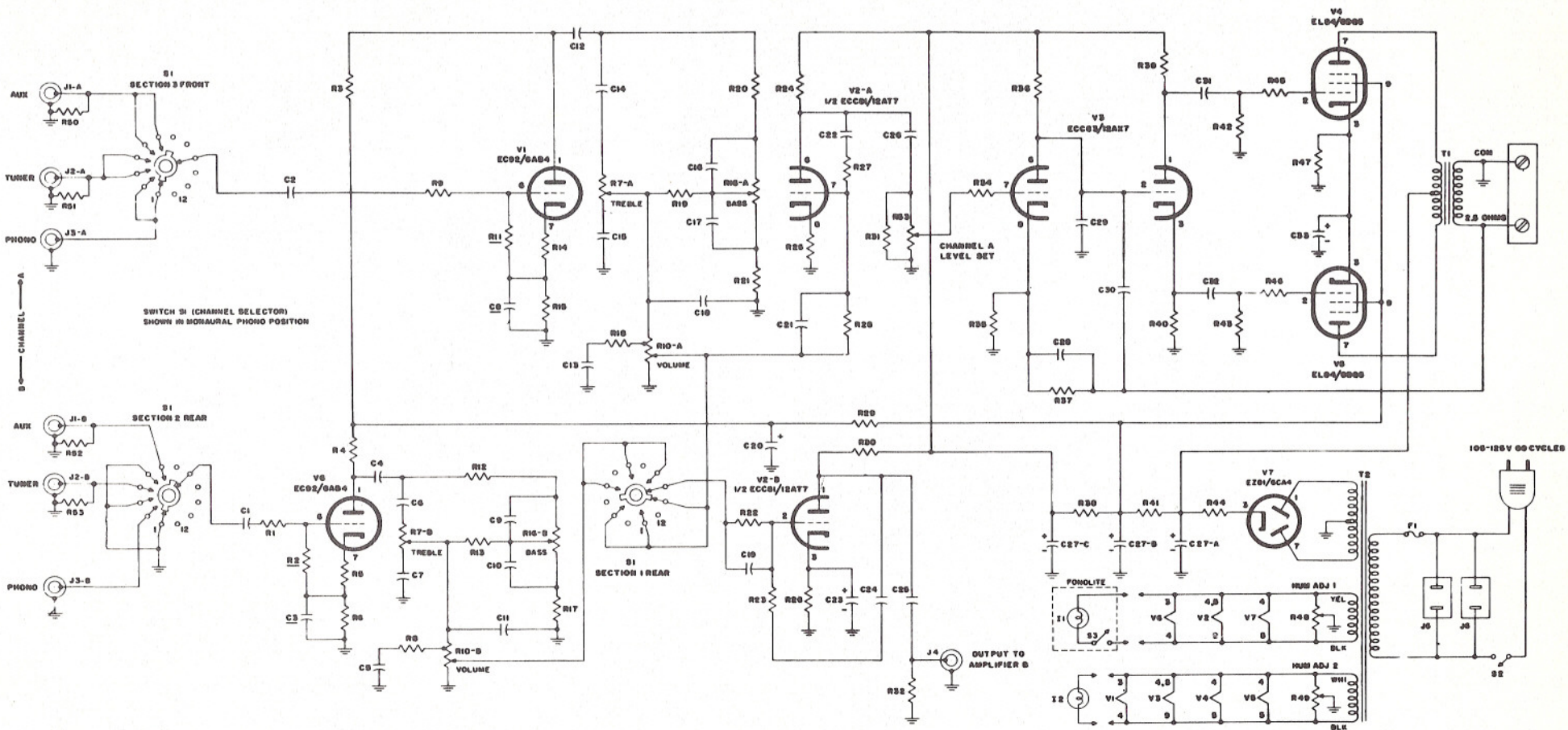
MISCELLANEOUS

Symbol	Description	Order No.
F1	Fuse, slo-blo, 1 ampere	F692-132
I-1	Lamp, Fonolite	I-50084
I-2	Lamp, pilot	I-50009-1
J1, 2, 3	Jack, dual	J50081-1
J4	Jack, single	J3143
J5, J6	Receptacle, auxiliary AC	J546-129
S1	Switch, channel selector	S692-112
S2	Switch, AC on-off	Part of R10
S3	Switch, Fonolite assembly	X50085
T1	Transformer, output, 2.5 ohms	T677-116
T2	Transformer, power	T692-115
—	*Phono cartridge for serial numbers 10001-19999	G-50101
—	*Phono cartridge for serial numbers 20001-29999	G-50111
—	*Note: Cartridges not interchangeable.	
—	Loudspeaker, dual-cone, 8 inch, 8 ohms (2) or	LS703-115
—	Loudspeaker, dual-cone, 8 inch, 8 ohms (2)	or LS703-116
—	Loudspeaker, 8 inch, 8 ohms (one)	LS634-107
—	Record changer, RC-121 Mark II, less cartridge	RC558-127

MECHANICAL PARTS

Symbol	Description	Order No.
—	45-rpm spindle LRS-4 for RC-121 Mark II changer	A50127
—	Lid support assembly	A50105
—	Knob	E50052-15
—	Tube shield, 9-pin miniature	E3287
—	Tube shield, 7-pin miniature	E3330
—	Jewel for pilot lamp	I-50010-1
—	Fonolite assembly, with S3	X50085
—	Fuse holder, with cap	X1036

SCHEMATIC DIAGRAM





FISHER RADIO CORPORATION • NEW YORK

